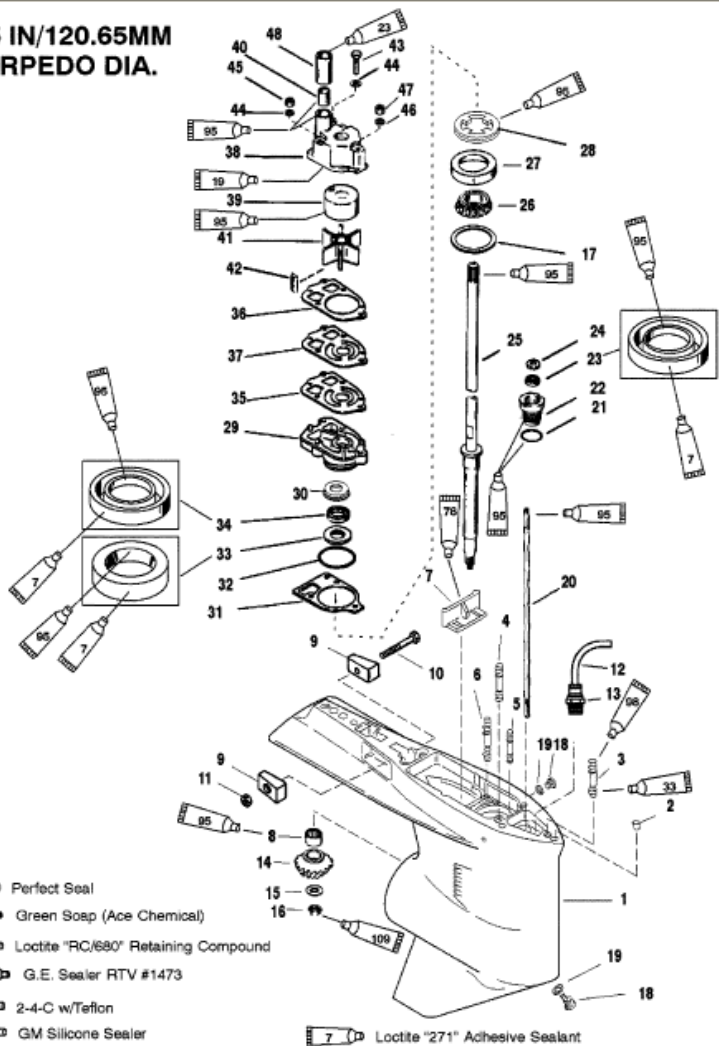


**4.75 IN/120.65MM
 TORPEDO DIA.**



Parts List						
Ref	Class	Part	Description	Qty	Comment	Footnote
1	1647	9148T93	GEAR HOUSING (BLACK)(BASIC)	1		
2	17	43044	DOWEL PIN	2		
3	16	78638 2	STUD (3-1/8 IN.)	1	(LONG)	
3	16	18978 3	STUD (3-11/16 IN.)	1	(X-LONG)	
4	16	57920 3	STUD (2-1/16 IN.)	2		
5	16	56297 2	STUD (3-3/8 IN.)	1		
6	16	30667	STUD (3-1/8 IN.)	2		
7		67891	FILLER BLOCK	1		
8	31	42647A 1	ROLLER BEARING	1		23
9		826134Q	ANODE	2		
10	10	40003 33	SCREW (M6 X 40)	1		
11	11	826833 6	NUT	1		
12	32	859449 71	HOSE	1	(10 IN. - LONG)	
12	32	859449 71	HOSE	1	(12 IN. - X-LONG)	
13	22	859432	FITTING	1		
14		NSS	PINION GEAR	1	(1.87-1-15 TEETH)(150) (PART 0	22
14	43	44101T 3	PINION GEAR	1	(2.1 - 14 TEETH)(115/135)	22
15	12	92721	WASHER	1		22,23
16	11	35921	NUT	1		22,23
17	15	42637A 1	SHIM SET	AR		22,23
18	10	79953Q 2	SCREW-DRAIN	2		
19	12	19183	WASHER	2		15,18
20		78902 2	SHIFT SHAFT	1		
21	25	25439	O-RING	1		2,15
22	23	77631A 2	BUSHING ASSEMBLY	1		15
23	26	816464 1	OIL SEAL	1		15
24	12	77674	WASHER-RUBBER	1		
25	45	44000 1	DRIVE SHAFT	1	(LONG)	
25	45	44209 1	DRIVE SHAFT	1	(X-LONG)	
26	31	36387A 1	ROLLER BEARING	1		23
27		NSS	CUP	1		23
28		824519 1	RETAINER	1		
29	46	42579A 3	WATER PUMP BASE	1		
30		NSS	RETAINER	1		
31	27	42631 1	GASKET	1		2,15,18
32	25	90011	O-RING	1		2,15,18
33	26	89238	OIL SEAL	1		15
34	26	16977	OIL SEAL	1		15
35	27	85608 1	GASKET-LOWER	1		2,15,18
36	27	858524	GASKET-UPPER	1		2,15,18
37		22426	FACE PLATE	1		18